

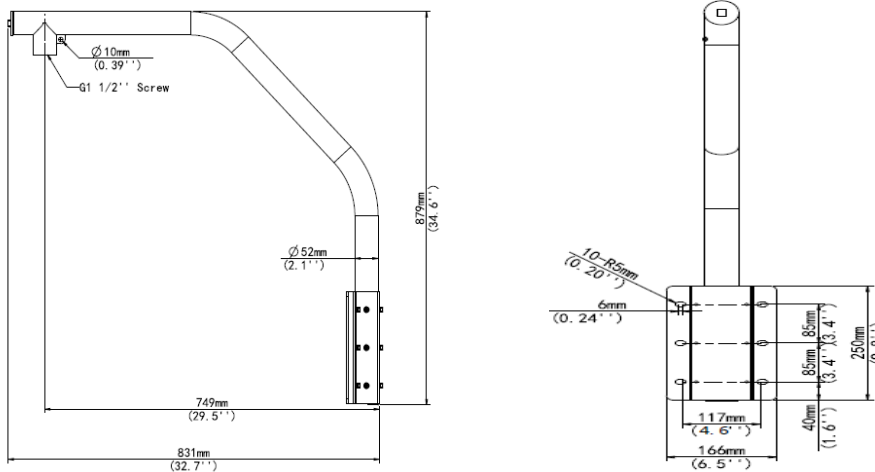
TR-WE45-B-IN PTZ Dome Gooseneck Bracket Mount



Specifications

Bracket	TR-WE45-B-IN
Application	outdoor, for PTZ dome camera
Dimensions(L x H)	879mmx831mm (34.6" x32.7")
Weight	4.3kg(9.47lb)
Material	Aluminum alloy,

Dimensions



Zhejiang Uniview Technologies Co.,Ltd.

South Tower, Building 10, Wanlun Science Park, 88 Jiangling Road, Hangzhou, P.R.China 310051

Email: overseasbusiness@uniview.com; globalsupport@uniview.com

<http://www.uniview.com>

©2015 Zhejiang Uniview Technologies Co.,Ltd. All rights reserved.

*Product specifications and availability are subject to change without notice.